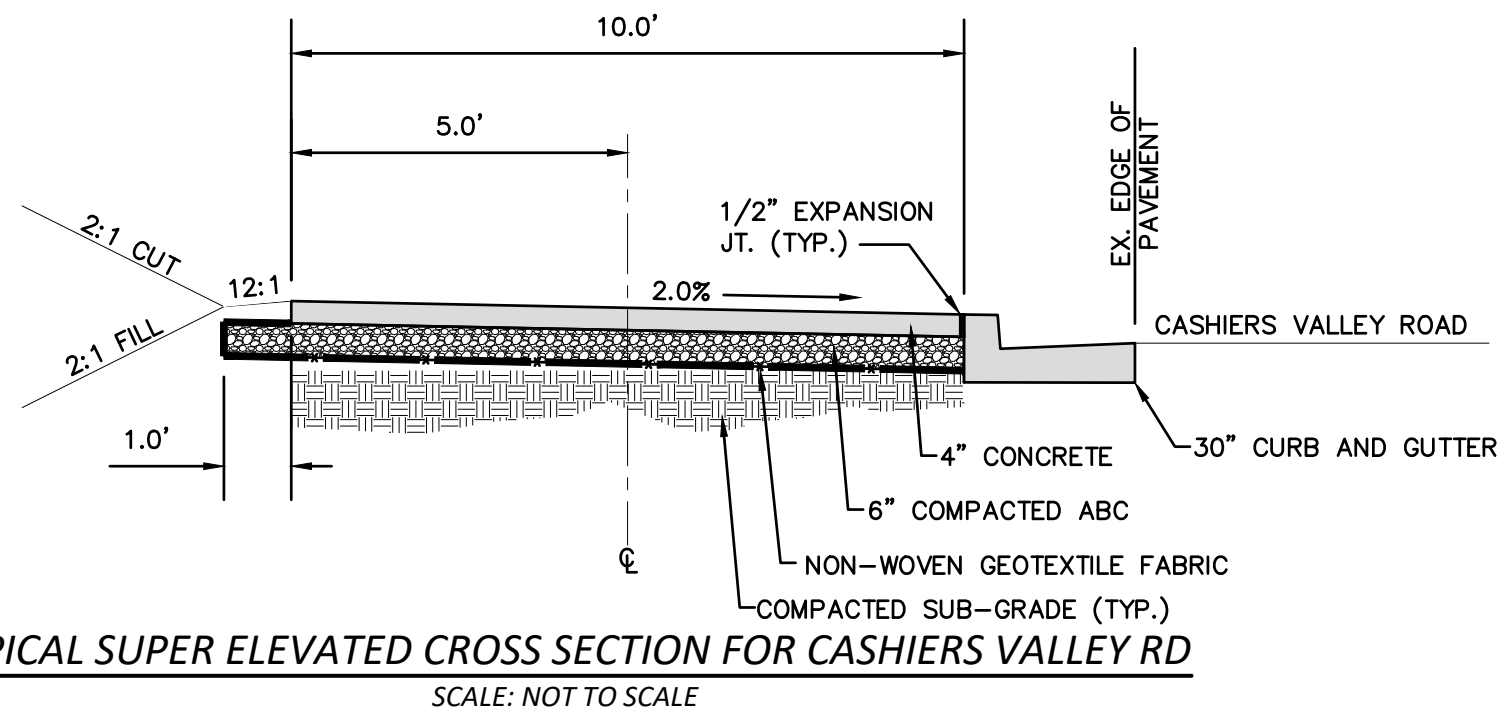
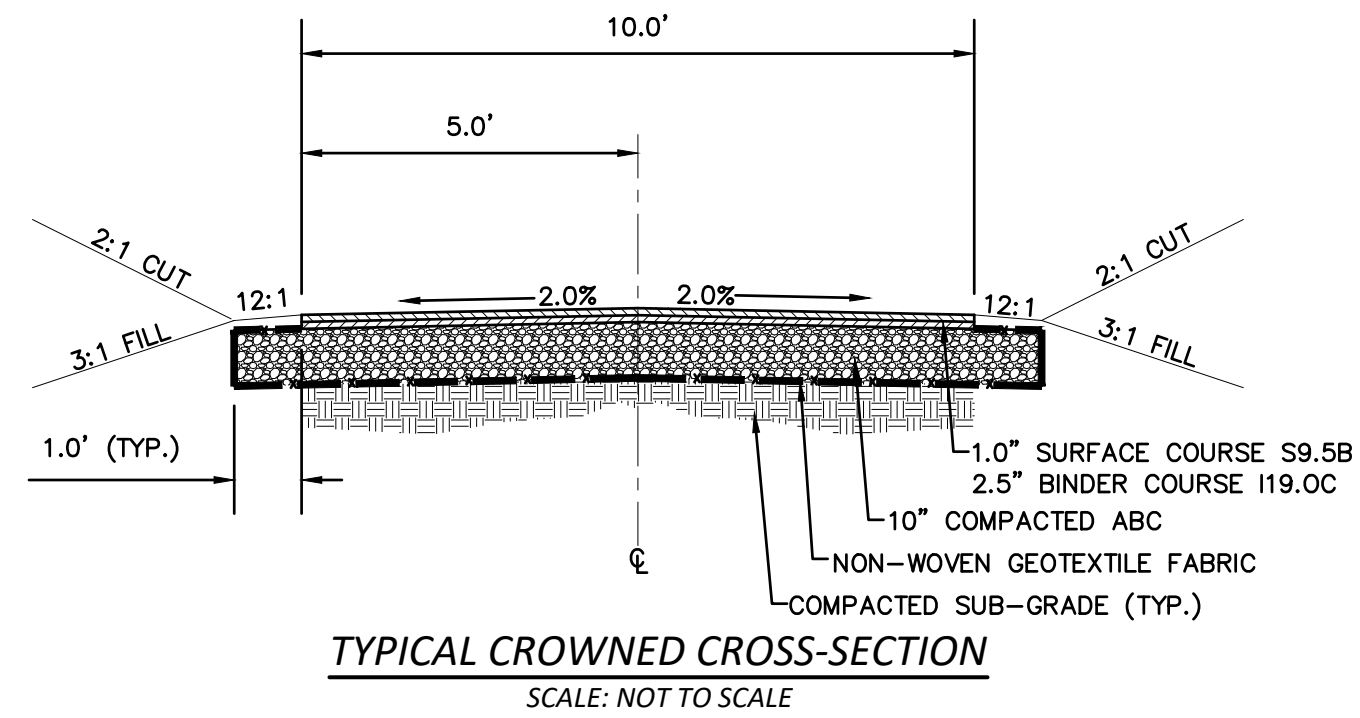


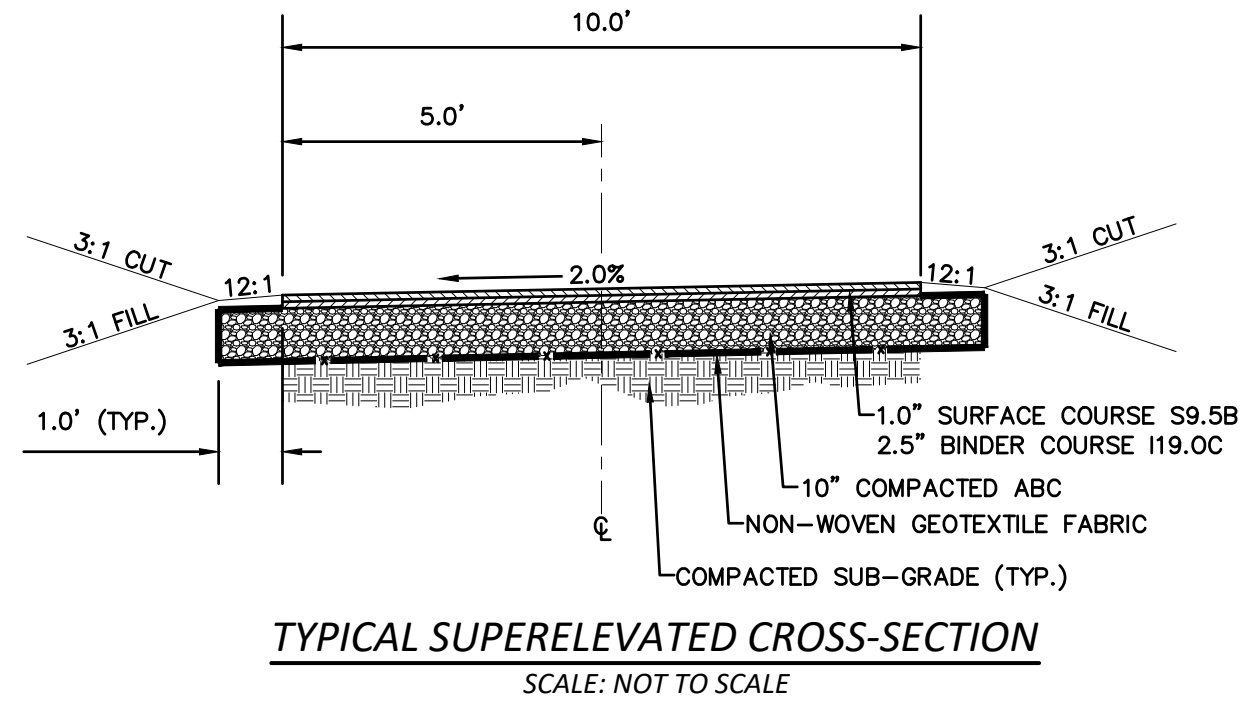
THIS DRAWING IS THE PROPERTY OF SUMMIT ENGINEERING GROUP, INC. AND IS NOT TO BE REPRODUCED OR TRANSMITTED IN ANY FORM OR BY ANY MEANS, ELECTRONIC OR MECHANICAL, INCLUDING PHOTOCOPYING, RECORDING, OR BY ANY INFORMATION STORAGE AND RETRIEVAL SYSTEM, WITHOUT THE WRITTEN PERMISSION OF SUMMIT ENGINEERING GROUP, INC. AND IS NOT TO BE USED ON ANY OTHER PROJECT AND SITE SPECIFICALLY IDENTIFIED HEREIN.



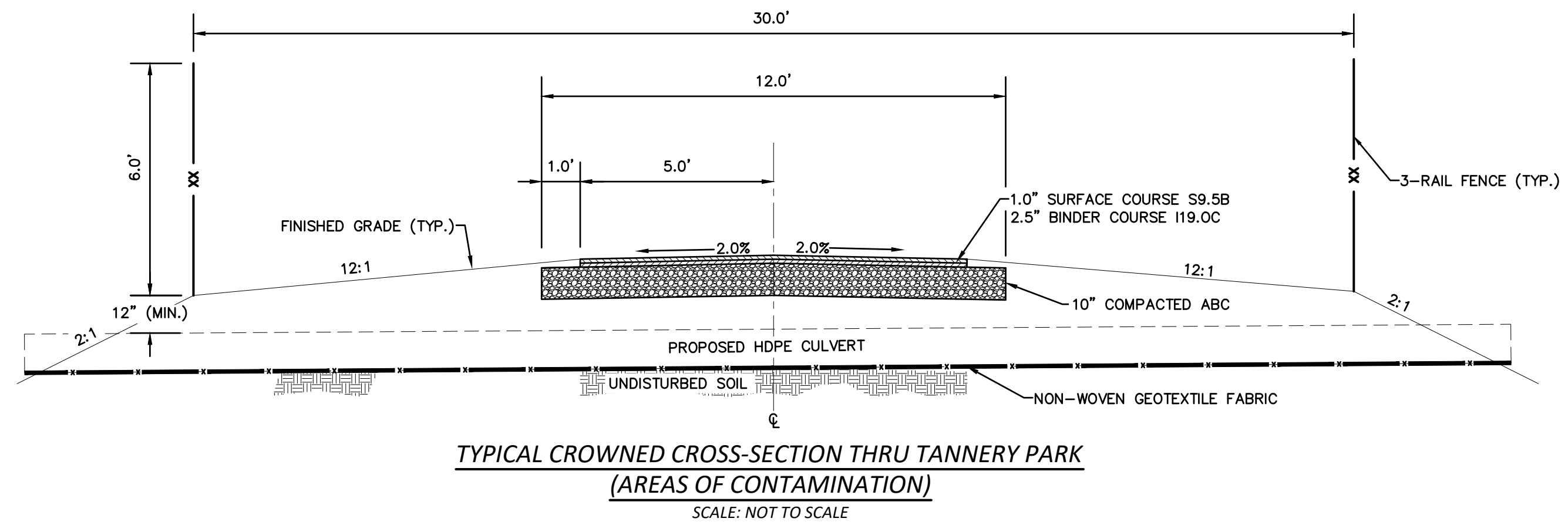
CASHIERS VALLEY ROAD X-SECTION STATIONS	
STATIONS	0+00 - 0+60
STATIONS	1+05 - 2+15
STATIONS	2+64 - 2+86



CROWNED X-SECTION STATIONS	
STATIONS	2+86 - 3+60
STATIONS	16+50 - 17+60

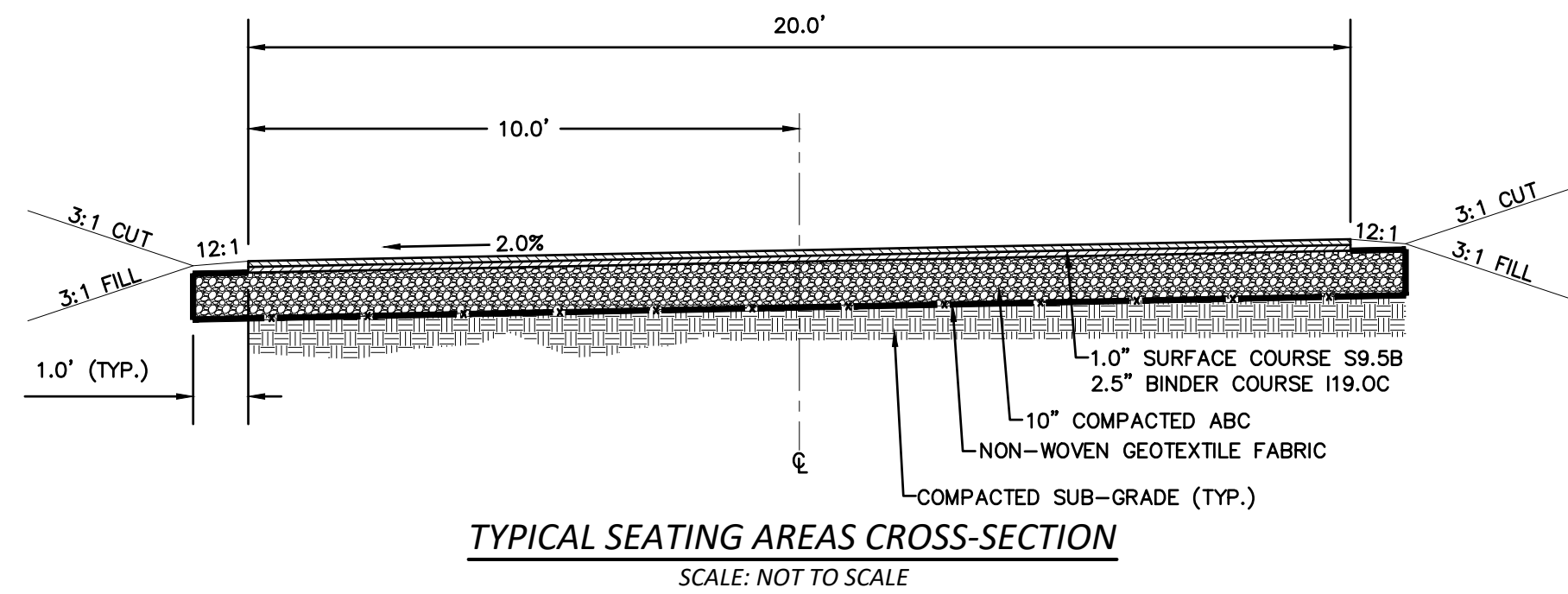


SUPERELEVATED X-SECTION STATIONS	
STATIONS	4+00 - 7+60
STATIONS	18+00 - 20+36 (END)

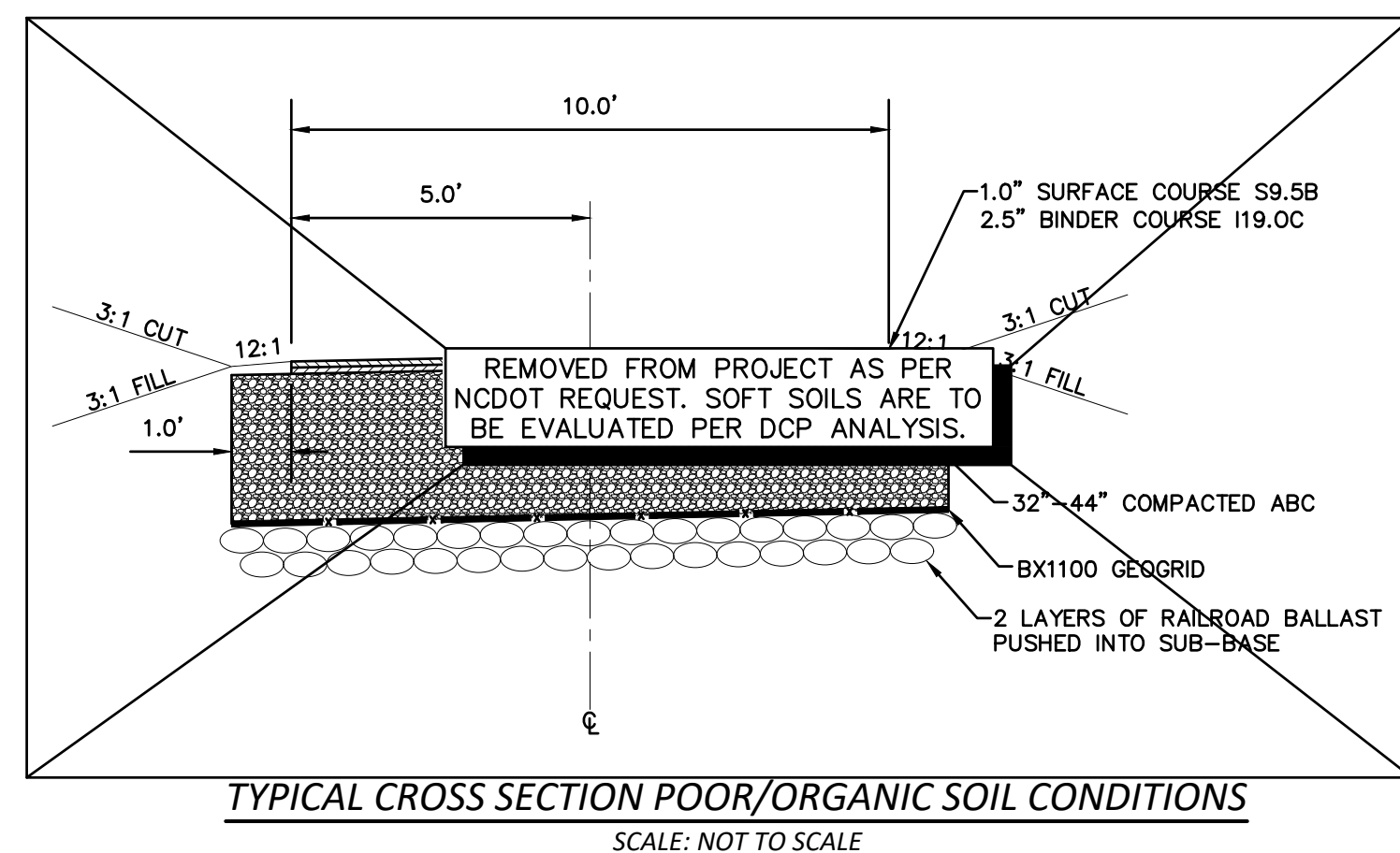


CROWNED X-SECTION THRU TANNERY PARK STATIONS	
STATIONS	8+00 - 11+78
STATIONS	11+94 - 16+50

NOTE:
1. TESTING IN THE FIELD WILL BE CONDUCTED BY THE CONTRACTOR PRIOR TO CONSTRUCTION TO DETERMINE EXTENTS OF CONTAMINATED AREA.
2. FENCING SHALL BE INCLUDED ALONG BIKE PATH THROUGHOUT THE ENTIRETY OF THE TANNERY PROPERTY.



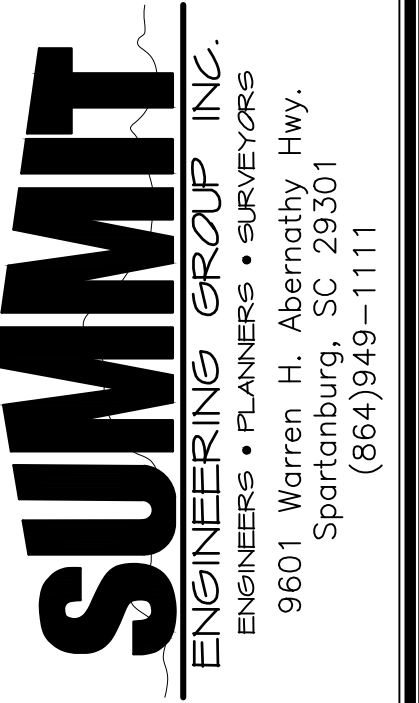
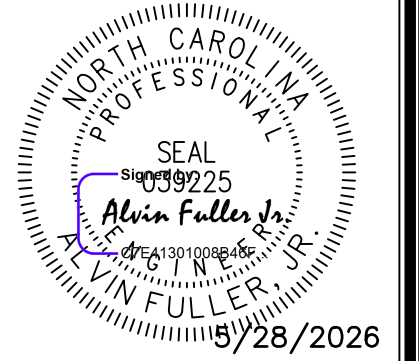
SUPERELEVATED X-SECTION SEATING AREAS	
STATIONS	11+78 - 11+94



STATION NUMBER NOTES:
1. STATIONS 0+60 TO 1+05 AND 2+15 TO 2+64 REFER TO OPTION #2 DRIVEWAY APRON.
2. STATIONS 3+60 TO 4+00, 7+60 TO 8+00, AND 17+60 TO 18+00 ARE TRANSITIONAL AREAS AND HAVE BEEN LABEL ON THE PLAN SHEET.

REVISIONS	
NO.	DESCRIPTION
1	REVISED BASED ON 1/14/25 MFC
2	REVISED BASED ON 1/22/26 MFC
3	REVISED BASED ON NCDOT REVIEW

APPROVALS	
PROJECT ENG:	AF
DESIGNED BY:	AF
DRAWN BY:	ADK
CHECKED BY:	MFC
APPROVED:	AF



TYPICAL CROSS-SECTIONS AND ASSOCIATED STATION NUMBERS
DATE: DEC. 2023 | SCALE: AS SHOWN

ESTATE TRAIL PHASE III (TANNERY PROPERTY) FOR THE CITY OF BREVARD, NC
TRANSYLVANIA COUNTY NORTH CAROLINA

N.B. NO.	SHEET
REF.	9
PROJECT NO.	OF
22017	

FILE: 22017_Base

N:\PROJECTS\22017_BREVARD - BIKE PATH\DWG\22017-BASE TANNERY_NCDOT.DWG 5/28/2026 9:33:13 AM